



Submittal Data Sheet

3.0-Ton Ceiling Suspended Unit

FXHQ36MVJU

FEATURES

- One of our slimmest indoor units (less than 8â€) fits any interior design
- Wide air discharge outlet distributes a comfortable airflow throughout the entire space
- Silent stream fan technology keeps sound pressure levels low
- Unit requires minimal installation space
- Standard Limited Warranty: 10-year warranty on compressor and all parts



LSM - Yanmar Distributor

Direct (250) 878-1666
Office (800) 663-1753

www.lsm-cogeneration.com



Submittal Data Sheet
3.0-Ton Ceiling Suspended Unit
FXHQ36MVJU

PERFORMANCE

Indoor Unit Model No.	FXHQ36MVJU	Indoor Unit Name:	3.0-Ton Ceiling Suspended Unit
Type:	Ceiling Suspended	Rated Cooling Conditions:	Indoor (°F DB/WB): 80 / 67 Ambient (°F DB/WB): 95 / 75
Rated Cooling Capacity (Btu/hr):	36,000	Rated Heating Conditions:	Indoor (°F DB/WB): 70 / 70 Ambient (°F DB/WB): 47 / 43
Sensible Capacity (Btu/hr):	25,100	Rated Piping Length(ft):	
Cooling Input Power (kW):	0.160	Rated Height Separation (ft):	
Rated Heating Capacity (Btu/hr):	40,000		
Heating Input Power (kW):	0.16		

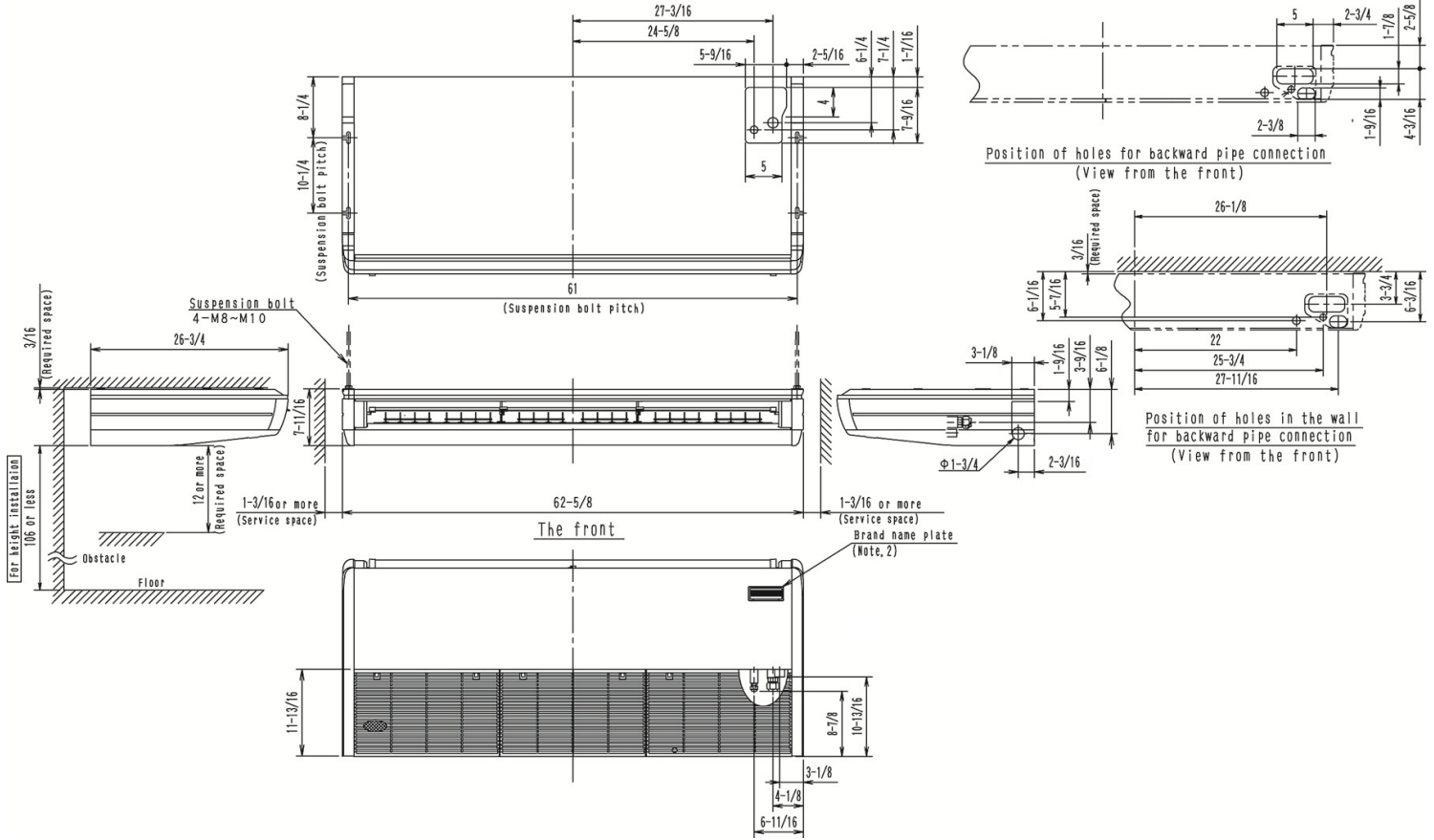
INDOOR UNIT DETAILS

Power Supply (V/Hz/Ph):	208-230 / 60 / 1	Airflow Rate (H/L) (CFM):	830/670
Power Supply Connections:	L1, L2, Ground	Moisture Removal (Gal/hr):	
Min. Circuit Amps MCA (A):	1.40	Gas Pipe Connection (inch):	5/8
Max Overcurrent Protection (MOP) (A):		Liquid Pipe Connection (inch):	3/8
Dimensions (HxWxD) (in):	7-11/16 x 62-5/8 x 26-3/4	Condensate Connection (inch):	1
Panel (HxWxD) (in):		Sound Pressure (H/L) (dBA):	46/41
Net Weight (lb):	90	Sound Power Level (dBA):	
Panel Weight (lb):		Ext. Static Pressure (Rated/Max) (inWg):	0.00 / 0.00

Submittal Data Sheet
3.0-Ton Ceiling Suspended Unit
FXHQ36MVJU

DIMENSIONAL DRAWING

FXHQ36MVJU
 Unit (in.)



LSM - Yanmar Distributor
 Direct (250) 878-1666
 Office (800) 663-1753
www.lsm-cogeneration.com