



Submittal Data Sheet

2.0-Ton Ceiling Suspended Unit

FXHQ24MVJU

FEATURES

- One of our slimmest indoor units (less than 8â€) fits any interior design
- Wide air discharge outlet distributes a comfortable airflow throughout the entire space
- Silent stream fan technology keeps sound pressure levels low
- Unit requires minimal installation space
- Standard Limited Warranty: 10-year warranty on compressor and all parts



LSM - Yanmar Distributor

Direct (252) 878-1666
Office (800) 663-1753

www.lsm-cogeneration.com



Submittal Data Sheet

2.0-Ton Ceiling Suspended Unit

FXHQ24MVJU

PERFORMANCE

Indoor Unit Model No.	FXHQ24MVJU	Indoor Unit Name:	2.0-Ton Ceiling Suspended Unit
Type:	Ceiling Suspended	Rated Cooling Conditions:	Indoor (°F DB/WB): 80 / 67 Ambient (°F DB/WB): 95 / 75
Rated Cooling Capacity (Btu/hr):	24,000	Rated Heating Conditions:	Indoor (°F DB/WB): 70 / 70 Ambient (°F DB/WB): 47 / 43
Sensible Capacity (Btu/hr):	17,100	Rated Piping Length(ft):	
Cooling Input Power (kW):	0.130	Rated Height Separation (ft):	
Rated Heating Capacity (Btu/hr):	27,000		
Heating Input Power (kW):	0.13		

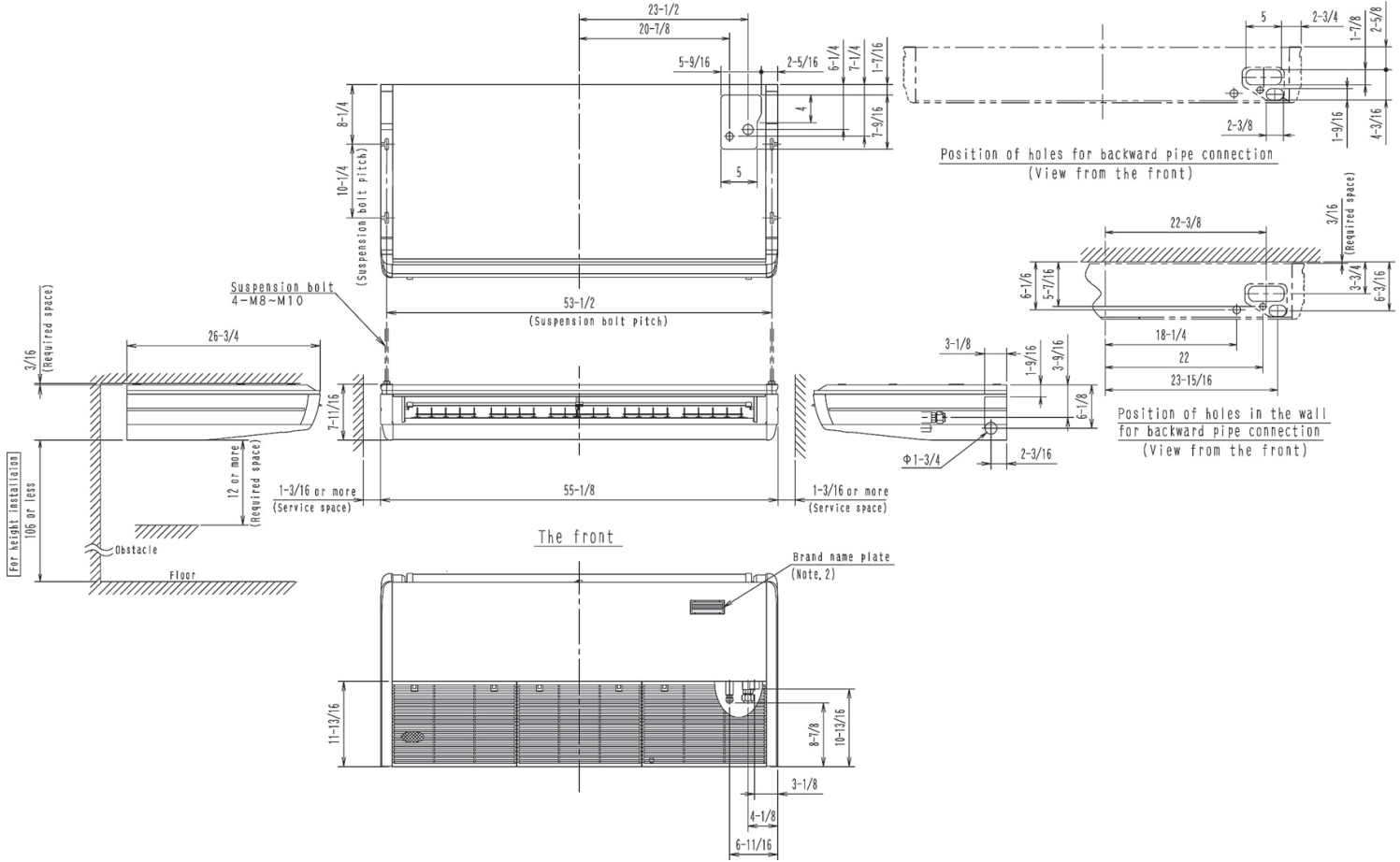
INDOOR UNIT DETAILS

Power Supply (V/Hz/Ph):	208-230 / 60 / 1	Airflow Rate (H/L) (CFM):	710/600
Power Supply Connections:	L1, L2, Ground	Moisture Removal (Gal/hr):	
Min. Circuit Amps MCA (A):	1.00	Gas Pipe Connection (inch):	5/8
Max Overcurrent Protection (MOP) (A):		Liquid Pipe Connection (inch):	3/8
Dimensions (HxWxD) (in):	7-11/16 x 55-1/8 x 26-3/4	Condensate Connection (inch):	1
Panel (HxWxD) (in):		Sound Pressure (H/L) (dBA):	44/36
Net Weight (lb):	80	Sound Power Level (dBA):	
Panel Weight (lb):		Ext. Static Pressure (Rated/Max) (inWg):	0.00 / 0.00

Submittal Data Sheet
2.0-Ton Ceiling Suspended Unit
FXHQ24MVJU

DIMENSIONAL DRAWING

FXHQ24MVJU
 Unit (in.)



LSM - Yanmar Distributor

Direct (252) 878-1666
 Office (800) 663-1753

www.lsm-cogeneration.com

Daikin North America LLC, 5151 San Felipe, Suite 500, Houston, TX, 77056

Daikin City Generated Submittal Data

www.daikinac.com www.daikincomfort.com

(Daikin's products are subject to continuous improvements. Daikin reserves the right to modify product design, specifications and information in this data sheet without notice and without incurring any obligations)