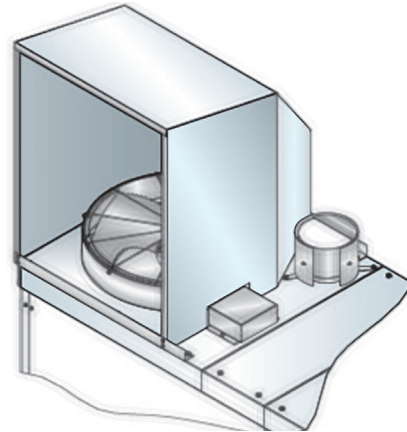




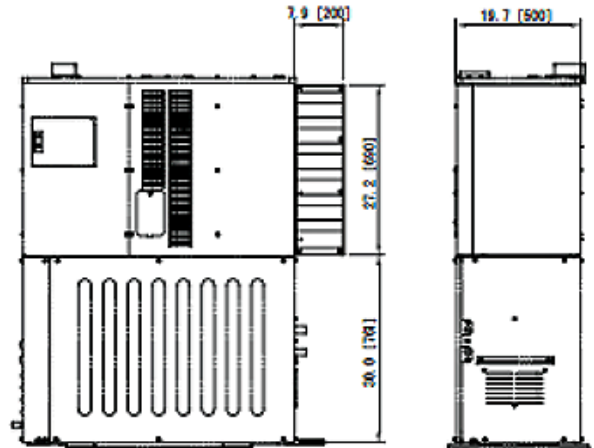
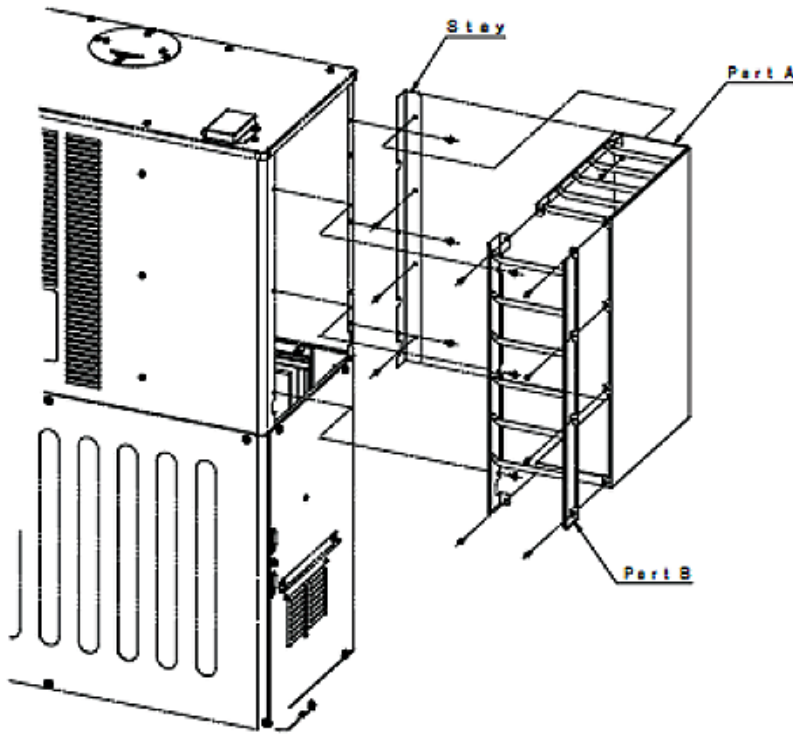
FKA5B AIR DIRECTION CHANGE DUCT

Model	FKA5B
Model Description	Air Direction Change Duct
Applicable CP Models	CP5WN
Dimensions	7.9 x 19.7 x 27.2 inches (200 x 500 x 690 mm)
Supplied Parts	Bolts & Rivets



The Air Direction Change Duct is used to change the heat flow from the radiator in order to prevent a short circuit or other effects.

Dimensional Drawings:
Units: Inches [mm]



Unit: Inch[mm]

Notes:

On-site assembly.

The attached bolts and rivets must be used to assemble the equipment.

NOTE: Due to YANMAR's ongoing commitment to quality, specifications, ratings and dimensions subject to change without notice. Improper installation, adjustment, alteration, service or maintenance can cause property damage or personal injury. Installation and service must be in accordance with current specifications, ratings and dimensions and be performed by a qualified installer and servicing agency.

LSM - Yanmar Distributor

Direct (250) 878-1666
Office (800) 663-1753

www.lsm-cogeneration.com